



Retail stores, restaurants, cafeterias, gymnasiums, convention centers, auditoriums and other large public spaces that require highly versatile, energy efficient light sources. The Bock Brilliante series is available with up to 8 high output compact fluorescent lamps, a single HID source and LED. With optional multi-switch legs or dimming capabilities and instant-on operation the BRL offers virtually unlimited light level configurations.

BRILLIANTE

BRL - DECORATIVE

Job Information:

Project:

Prepared by:

Comments:

Approved by:

BRL SERIES SPECIFICATIONS

APPLICATION: Retail stores, restaurants, cafeterias, gymnasiums, convention centers, auditoriums and other large public spaces that require highly versatile, energy efficient light sources. The Bock Brilliante series is available with up to 8 high output compact fluorescent lamps or a single HID source. With optional multi-switch legs or dimming capabilities and instant-on operation the BRL offers virtually unlimited light level configurations.

HOUSING: Spun heavy gauge aluminum ballast compartment. This design ensures maximum cooling of the heat sensitive electronic components and promotes long, maintenance free fixture life.

OPTICS: Injection molded prismatic acrylic design with over 94% optical efficiency and 25% up light by Reflexor® by LEXALITE®.

MOUNTING: The BRL may be attached to a 1/2" or 3/4" pendant or bracket. Optional hook, loop, power hook receptacle, cord and plug and other convenience options are available. See options and accessories in the ordering guide.

FINISH: Ballast housing is white powder coat. Optional powder coat finishes are available at an additional cost. See ordering guide for complete list of finishes.

APPROVALS: Listed with Underwriter's Laboratories for DAMP LOCATIONS. C-UL Listed for Canada.



COMPACT FLUORESCENT SPECIFICATIONS

LAMP TYPES: 1, 2, 4, 6 or 8 GX24Q-4 base 4-pin triple tube compact fluorescent lamps in either 26, 32, 42 or 57 watts. Optional multiple switch leg option allows stepped dimming by separately controlling the operation of 4, 6 or 8 lamps. Choose from 2700°K, 3000°K, 3500°K, or 4100°K color temperature triple tube type CFL lamps.

BALLAST: Highest quality microprocessor controlled auto sensing electronic ballast. Class P thermal protected and class A sound rated. Universal voltage and wattage ballasts allows for 120 through 277 volt input and 26, 32, 42 or 57 watt lamp operation. Optional continuous dimming requires a 2 wire 0-10 volt dimmer. Emergency battery powered ballast option available.

LAMP HOLDERS: Compact fluorescent sockets are GX24Q-4 base universal 4-pin socket for 26, 32, 42 or 57 watt triple tube lamps.

HIGH INTENSITY DISCHARGE SPECIFICATIONS

LAMP TYPES: Choice of 50 through 400 watt metal halide, pulse start metal halide or high pressure sodium. Fixtures are supplied with a phosphor coated H. I. D. lamp.

BALLAST: High Intensity fixtures incorporate a normal power factor Class H core and coil reactor type ballast with integral ignitor.

LAMP HOLDER: 4KV pulse rated porcelain base with nickel plated screw shell.

LED LIGHT EMITTING DIODE

LAMP TYPES: LED's are Cree CXA COB Series, Up to 4 COBs per fixture.

DRIVER: Drivers are produced by Osram Sylvania, OT40 Programmable with 0-10V dimming, Universal Voltage, 120-277V

Lumen Levels: 850, 1250, 2000, 3000

Cooling: Comes with passive and active cooling options.

Certification: Built to UL 1598 & 8750

Powder Coat Finishes

| | | | |
|---|--|--|--|
|  G0 Black |  G1 White |  G2 Red |  G3 Yellow |
|  G4 Blue |  G5 Green |  G6 Brown |  G7 Verdigris |
|  G8 Dark Bronze |  G9 Silver |  G10 Dark Green |  G11 Copper |
|  G12 Brushed Aluminum |  G13 Tan |  G14 Gunmetal |  G15 Rust |
|  G16 Silver Wrinkle (Galvanized Look) |  G17 Architectural Bronze |  G18 Rock Garden Green, Gloss | |
|  G50 Neon Orange |  G51 Neon Pink |  G52 Neon Yellow | |



Use up to 8 Triple Tube Compact Fluorescent Lamps.



BockLighting

Phone: (216) 912-7050 Fax: (216) 912-7051

sales@bocklighting.com

www.bocklighting.com

BRL
20151222

Product Ordering Guide - Incandescent

| Series | Max Watt | Optional Bottom Lens Assembly | Color Finish | Options and Accessories |
|--------|----------|--|---|---|
| BRL-12 | 100-INC | 4GL-PA12 = Flat Clear Glass with Aluminum Clamp Band 4CD-PA12 = Acrylic Conical Diffuser with Aluminum Clamp Band | G0 = Black, G1 = White, G2 = Red, G3 = Yellow, G4 = Blue, G5 = Green, G6 = Brown, G7 = Verdigris, G8 = Dark Bronze, G9 = Silver, G10 = Dark Green, G11 = Copper, G12 = Brushed Aluminum Consult website or factory for more options. | SF = Single Fusing For Gooseneck Arms, Cord and Canopy Sets or Other Mounting Accessories See RLM Catalog. |
| BRL-16 | 200-INC | 4GL-PA16 = Flat Clear Glass with Aluminum Clamp Band 4CD-PA16 = Acrylic Conical Diffuser with Aluminum Clamp Band | | |
| BRL-22 | 300-INC | 4GL-PA22 = Flat Clear Glass with Aluminum Clamp Band 4CD-PA22 = Acrylic Conical Diffuser with Aluminum Clamp Band | | |

Product Ordering Guide - H.I.D.

| Series | Watts / H.I.D. Type | Voltage / Ballast Type | Optional Bottom Lens Assembly | Color Finish | Options and Accessories |
|--------|--|--|---|---|--|
| BRL-12 | 50PSMH, 70PSMH Requires Enclosed Optics 50PSMP, 70PSMP Open or Enclosed Optics | MT-XH = Multi-Tap H.P.F. XH (120,208,240,277 Volt) | 4GL-PA12 = Flat Clear Glass with Aluminum Clamp Band 4CD-PA12 = Acrylic Conical Diffuser with Aluminum Clamp Band | G0 = Black G1 = White G2 = Red G3 = Yellow G4 = Blue G5 = Green G6 = Brown G7 = Verdigris G8 = Dark Bronze G9 = Silver G10 = Dark Green G11 = Copper G12 = Brushed Aluminum | SF = Single Fuse DF = Double Fuse AS/H = Autosafe Quartz Hot Restrike (16" & 22" Only) AS/H-C = Autosafe Time Delay Hot-Cold Quartz Restrike (16" & 22" Only) ESR = Energy Saving Relay - Bi Level Ballast System (Consult Factory) For Gooseneck Arms, Cord and Canopy Sets or Other Mounting Accessories See RLM Catalog. |
| BRL-16 | 100HPS,150HPS Open or Enclosed Optics | MT-XH = Multi-Tap H.P.F. XH (120, 208, 240, 277 Volt) CMT-XH = Canadian Multi Tap XH H.P.F. (120, 277, 347 Volt) 480-HX = 480 Volt H.P.F. XH | 4GL-PA16 = Flat Clear Glass Lens with Aluminum Clamp Band 4CD-PA16 = Acrylic Conical Diffuser with Aluminum Clamp Band | | |
| | 100PSMH, 150PSMH Requires Enclosed Optics | MT-XH = Multi-Tap H.P.F. XH (120, 208, 240, 277 Volt) CMT-XH = Canadian Multi Tap XH H.P.F. (120, 277, 347 Volt) 480-HX = 480 Volt H.P.F. XH | | | |
| BRL-22 | 100PSMP, 150PSMP Open or Enclosed Optics | MT = Multi-Tap H.P.F. (120,208,240,277 Volt) CMT = Canadian Multi Tap H.P.F. (120, 277, 347 Volt) 480 = 480 Volt H.P.F. | | | |
| | 250HPS, 400HPS Open or Enclosed Optics 250MH, 250PSMH, 320PSMH, 350PSMH, 400MH, 400PSMH Requires Enclosed Optics 250PSMP, 320PSMP, 350PSMP, 400PSMP Open or Enclosed Optics | MT = Multi-Tap H.P.F. (120, 208, 240, 277 Volt) CMT = Canadian Multi Tap H.P.F. (120, 277, 347 Volt) 480 = 480 Volt H.P.F. | 4GL-PA22 = Flat Clear Glass Lens with Aluminum Clamp Band 4CD-PA22 = Acrylic Conical Diffuser with Aluminum Clamp Band | | |

Product Ordering Guide - Compact Fluorescent

| Series | No. of Lamps | C.F.L. Wattage | No. of Switch Legs | Optional Bottom Lens Assembly | Voltage | Color Finish | Options and Accessories |
|--------|----------------------------|--|---|---|--|---|---|
| BRL-12 | 1 2 | 26CFL 32CFL 42CFL | 1SL = Single Circuit for 1 or 2 Lamps | 4GL-PA12 = Flat Clear Glass with Aluminum Clamp Band 4CD-PA12 = Acrylic Conical Diffuser with Aluminum Clamp Band | 347 = 347 Volt MT = Multi-Tap (Universal Voltage 120-277) | G0 = Black G1 = White G2 = Red G3 = Yellow G4 = Blue G5 = Green G6 = Brown G7 = Verdigris G8 = Dark Bronze G9 = Silver G10 = Dark Green G11 = Copper G12 = Brushed Aluminum | SF = Single Fusing OF = Double Fusing EM750 = Bodine B94 Battery Backup Ballast for Remote Mounting. Can Operate a Single 42W or Two 26W or 32W Lamps at 750 Lumens. Includes Indicator Light and Test Switch Panel to Fit a Standard Single Gang Outlet Box. EM1000 = Bodine B84 Battery Backup Ballast for Remote Mounting. Can Operate a Single 42W or Two 26W or 32W Lamps at 1000 Lumens. Includes Indicator Light and Test Switch Panel to Fit a Standard Single Gang Outlet Box. DM7 = Advance Transformer Mark VII Series Dimming Ballast. A Dimming Ballast is Required for Every 2 Lamps to be Dimmed. Requires a 2 Wire 0-10 Volt Dimmer in Addition to the Normal Hot, Neutral and Ground Wires. Multiple Dimming Ballasts May Be Used with Multiple Switch Legs. Specify Special Wiring Requirements. For Gooseneck Arms, Cord and Canopy Sets or Other Mounting Accessories See RLM Catalog. |
| BRL-16 | 1 2 3 4 | 26CFL 32CFL 42CFL 57CFL | 1SL = Single Circuit for 1, 2, 3 or 4 Lamps 2SL = Two Circuits for 2 or 4 Lamps | 4GL-PA16 = Flat Clear Glass Lens with Aluminum Clamp Band 4CD-PA16 = Acrylic Conical Diffuser with Aluminum Clamp Band | | | |
| BRL-22 | 1 2 3 4 6 8 | 26CFL 32CFL 42CFL 57CFL = (6 Lamp Only) | 1SL = Single Circuit for 1, 2, 3, 4, 6 or 8 Lamps 2SL = Two Circuits for 4 or 8 Lamps 3SL = Three Circuits for 6 or 8 Lamps 4SL = Single Circuits for 8 Lamps Only | 4GL-PA22 = Flat Clear Glass Lens with Aluminum Clamp Band 4CD-PA22 = Acrylic Conical Diffuser with Aluminum Clamp Band | | | |

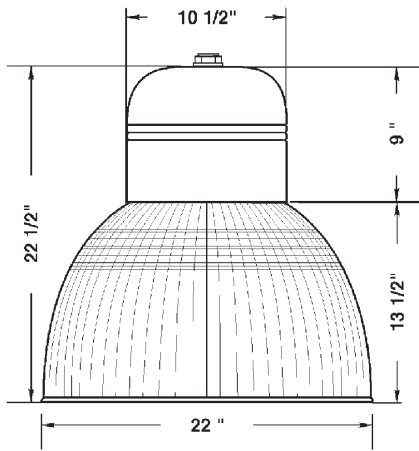
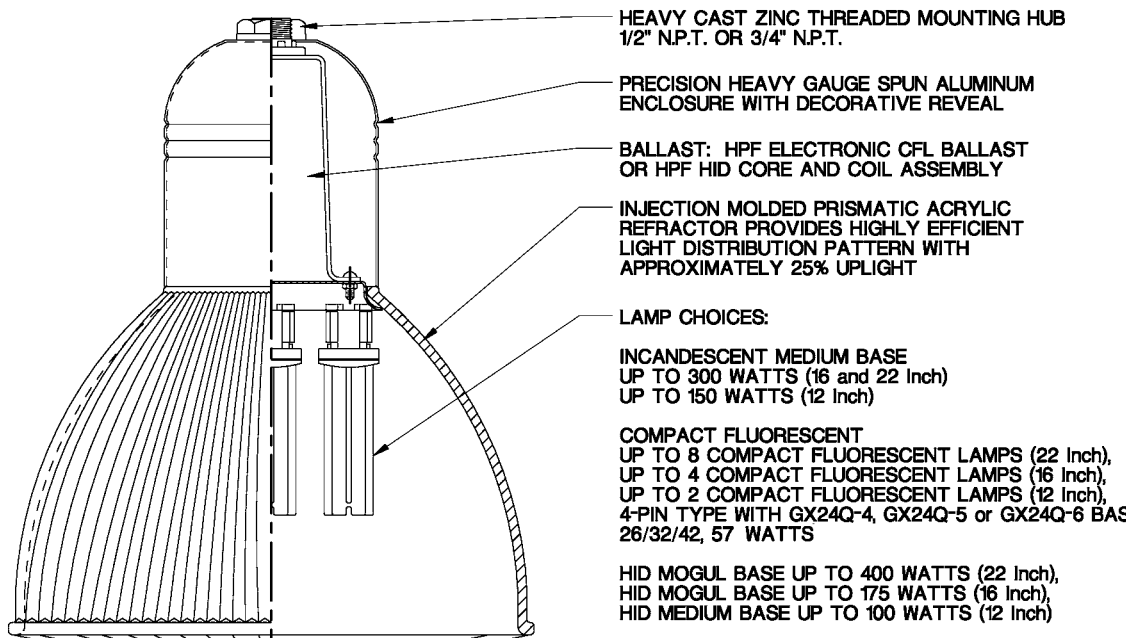
Product Ordering Guide - LED

| Series | # Modules | Lamp Type | LED Lumen | No. of Switch Legs | Optional Bottom Lens Assembly | Voltage | Color Finish | Accessories |
|--------|------------------|-----------|-----------------------|--------------------------|---|--|---|---|
| BRL-12 | 1 | LBA01 | 850, 1250, 2000, 3000 | 1SL | 4GL-PA12 = Flat Clear Glass with Aluminum Clamp Band 4CD-PA12 = Acrylic Conical Diffuser with Aluminum Clamp Band | 347 = 347 Volt MT = Multi-Tap (Universal Voltage 120-277) | G0 = Black G1 = White G2 = Red G3 = Yellow G4 = Blue G5 = Green G6 = Brown G7 = Verdigris G8 = Dark Bronze G9 = Silver G10 = Dark Green G11 = Copper G12 = Brushed Aluminum | For Gooseneck Arms, Cord and Canopy Sets or Other Mounting Accessories See RLM Catalog. |
| BRL-16 | 1 2 | LBA01 | 850, 1250, 2000, 3000 | 1SL 2SL | 4GL-PA16 = Flat Clear Glass Lens with Aluminum Clamp Band 4CD-PA16 = Acrylic Conical Diffuser with Aluminum Clamp Band | | | |
| BRL-22 | 1 2 3 4 | LBA01 | 850, 1250, 2000, 3000 | 1SL 2SL 3SL 4SL | 4GL-PA22 = Flat Clear Glass Lens with Aluminum Clamp Band 4CD-PA22 = Acrylic Conical Diffuser with Aluminum Clamp Band | | | |

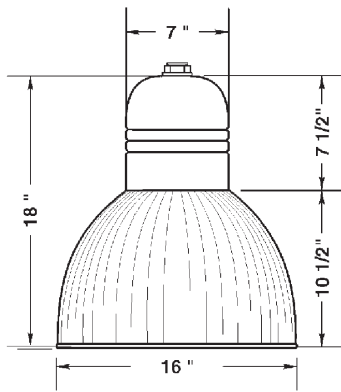
Example of a Typical Order: BRL22-1250-LED-2SL-4CD-PA22-MT-G0



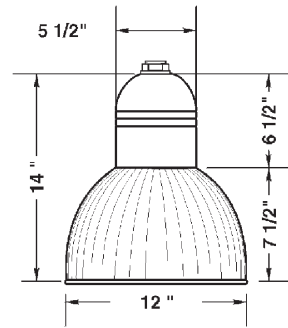
Phone: (216) 912-7050 Fax: (216) 912-7051
 sales@bocklighting.com
 www.bocklighting.com



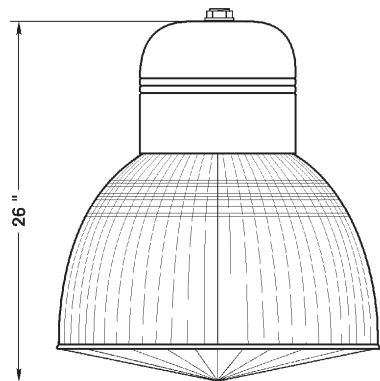
BRL-22



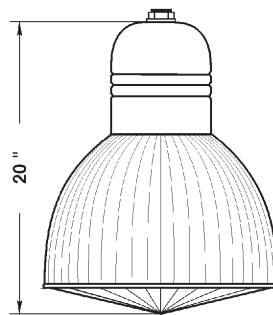
BRL-16



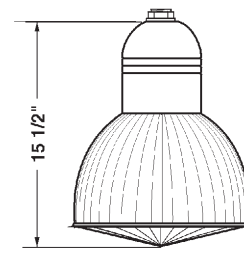
BRL-12



BRL-22



BRL-16



BRL-12